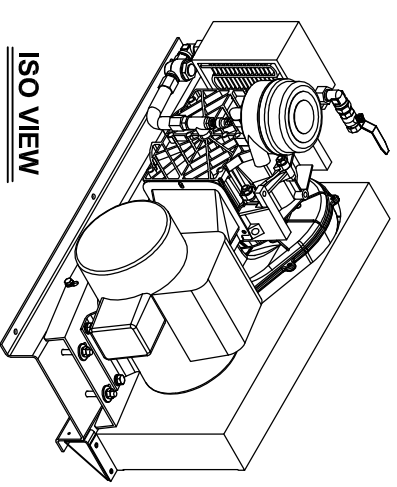
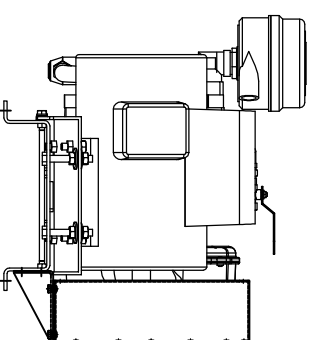
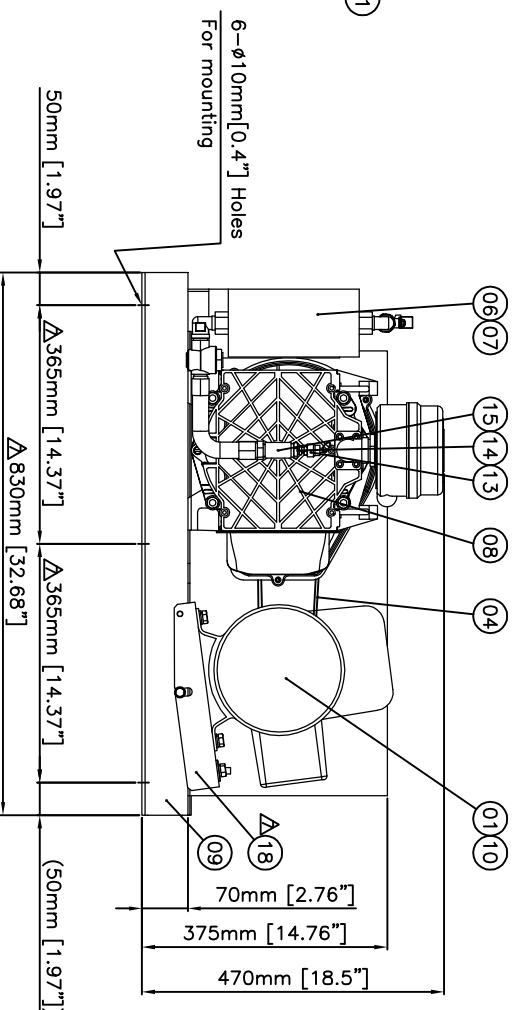
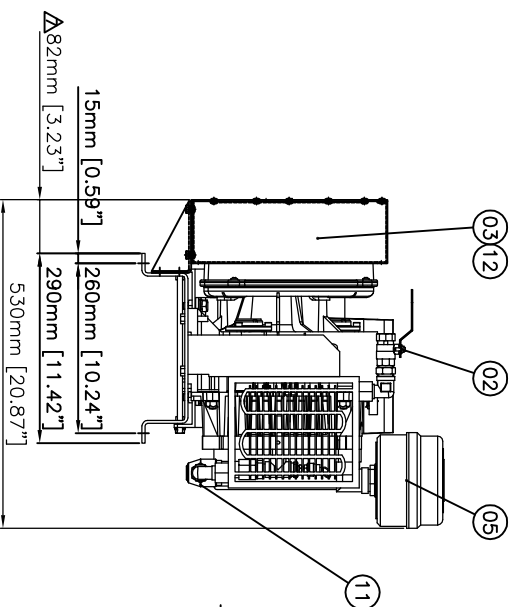
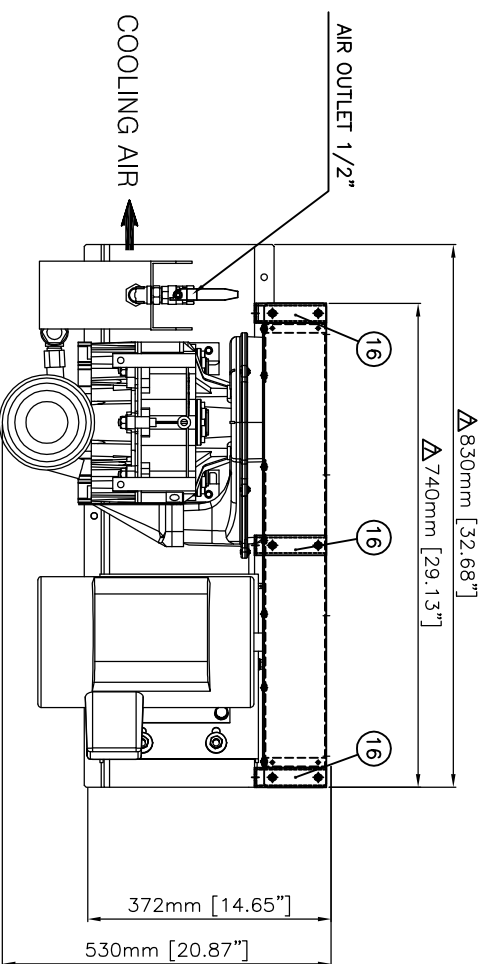


COMPRESSOR SPECIFICATION

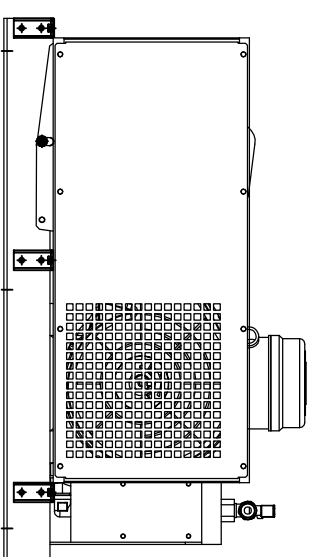
AIR COMPRESSOR MODEL	CSOF-BH3(5)PL(H) & OSB SERIES
BASIC MODEL	BC-KL52L(H) or BC-KL32L(H)
WORKING PRESSURE (psig)	90 ~ 110 or 120 ~ 140
FREE AIR DELIVERY (CFM)	14.1 or 12
ROTATION SPEED (rpm)	3150 or 2900
V-BELT TYPE	3V
APPROXIMATE WEIGHT (lb)	264.5
DIMENSION (mm / in)	830x530x470(mm)/32.68"x20.87"x18.5"



D	C	B	A	MARK	REVISION RECORD	DATE	REVISED BY	CHECKED BY	APPD. BY
				△x6	Change of application parts & model.	09.03.02	S.J.PARK		
				△x3	Change of application parts	09.05.25	S.J.PARK		
				△x12	Added of motor base & Change of outside dimensions	12.05.15	S.J.PARK		

QTY	QTY	PARTS NO.	PART NAME	MATERIAL	TREAT.	DIMENSION	WEIGHT
1	1	01	MOTOR	-	-	-	-
1	1	02	OUTLET VALVE	-	-	G8020104(15A)	-
1	1	03	BELT COVER1	-	-	AC318017 △Change	-
1	1	04	BELT	-	-	TABLE	-
1	1	05	INTAKE FILTER SET	-	-	ACCP986	-
1	1	06	AFTER COOLER	-	-	AC302497	-
1	1	07	COOLER SUPPORTER	-	-	AC302198-1	-
1	1	08	SCROLL AIR END	-	-	BC-KL52L(H) or BC-KL32L(H)	-
1	1	09	COMMON BASE	-	-	AC302198-3	-
1	1	10	MOTOR PULLEY	-	-	GC200	-
1	1	11	CHECK VALVE	-	-	CB040002	-
1	1	12	BELT COVER2	-	-	AC318018 △Change	-
1	1	13	SAFETY VALVE	-	-	-	-
1	1	14	BUSHING	-	-	C2150002(P13/B&P11/4)	-
1	1	15	TEE	-	-	C2120003(P13/8)	-
3	3	16	SUPPORTER-BELT COVER	-	-	AC318019 △Change	-
1	1	17	SUPPORTER-BELT COVER	-	-	AC311998	-
1	1	18	MOTOR BASE	-	-	SS400	-

NOTE
1. MINIMUM CLEARANCE
FOR MAINTENANCE : 600mm EACH DIRECTION



TOLERANCES UNLESS OTHERWISE SPECIFIED		PRODUCT NAME		TITLE	
± IT14		SCROLL AIR COMPRESSOR		OUTSIDE DRAWING	
MODEL	CSOF-BH3(5)PL(H)	PRODUCT NAME	OSB SERIES	COAIRE/Ohio Medical	Compressor World
DWN. BY	S.J.PARK	DESIGNED BY	CHKD. BY	APPD. BY	
2009.01.15		2009.01.15			
THIRD ANGLE PROJECTION	SCALE 1 : 6	UNIT : mm			
REFERENCE DRW. NO.					
DRAWING NO.	AC302165	REV.	7		